

**APPLICATION FOR APPROVAL OF A TYPE OF PNEUMATIC TYRE ACCORDING TO ECE REGULATION No. 54, 00 SERIES OF AMENDMENTS**

1.	Manufacturer's name or trade mark <sup>(2)</sup>	:	XINGYUAN; HILO; FULLRUN; ANCHEE; XINGHONGYUAN; ANNAITE; AUTOGRIP
2.	Tyre type designation by the manufacturer <sup>(2)</sup>	:	X-TERRAIN XT1; FRUN-SIX; GRIP6000-LT
3.	Manufacturer's name and address	:	QINGDAO KEBEK TIRE CO., LIMITED  LinGong Road, MengYin Economic Development Zone, Lin Yi City, ShanDong Province, 276200 P.R. China
4.	If applicable, name and address of manufacturer's representative	:	not applicable
5.	Summarised description,		
5.1.	Tyre size designation	:	31X10.50R15LT
5.2.	Category of use	:	<del>normal</del> /special/snow <sup>(1)</sup>
5.3.	Structure	:	<del>diagonal (bias ply)</del> /radial <sup>(1)</sup>
5.4.	Speed category symbol	:	
5.4.1.	Nominal	:	R
5.4.2.	Additional (if applicable)	:	not applicable
5.5.	Load capacity indices	:	
5.5.1.	corresponding to nominal speed	:	
5.5.2.	corresponding to additional speed	:	single: 109, <del>twinned (dual):</del>
6.	Overall dimensions(design)	:	single: ---, twinned (dual): ---
	overall section width	:	ETRTO/calculated/Annex 5 <sup>(1)</sup>
	outer diameter	:	268
7.	Factor 'x'	:	775
8.	Ply-rating number for diagonal (bias ply) tyres	:	0.80
9.	Rims on which the tyre can be mounted	:	Not applicable 8.5J
10.	Measuring rim and test rim	:	7J;7.5J;8J;9J
11.	Tyre class	:	see attached test report
12.	State whether the tyre is	:	C2 / C3 <sup>(1)</sup>
13.	Traction tyre	:	tube less / tube type <sup>(1)</sup>
14.	State if special use tyre	:	Yes / no (see the tread pattern detail in drawing) <sup>(1)</sup>
	Professional Off-Road	:	n.a. Yes / no <sup>(1)</sup>
	Tread depth / Void to fill ratio	:	n.a.
15.	Inflation pressure and index for measuring and testing	:	see attached test report
16.	Submitted for approval on (date)	:	

We herewith declare that we have not applied and will not apply for approval with another Contracting Party of the ECE for the same type of product.

MANUFACTURER'S STAMP

Signature :

Name: Shen Yutian

THIS APPLICATION IS ACCOMPANIED BY:

- A drawing of the tyre's side wall, tread and dimensioned cross section.
- The test report.

(1) Strike out what does not apply.  
(2) Modified points are underlined for extension.



**THE NETHERLANDS**  
(N E D E R L A N D)**COMMUNICATION**Concerning <sup>(1)</sup>:

- approval granted
- ~~approval extended~~
- ~~approval refused~~
- ~~approval withdrawn~~
- ~~production definitely discontinued~~

of a type of pneumatic tyre for motor vehicles pursuant to Regulation number 54.

**Approval number: E4-54R-0034018****Extension number: 00**

1. Manufacturer's name or trade mark(s) : XINGYUAN; HILO; FULLRUN; ANCHEE;  
on the tyre type XINGHONGYUAN; ANNAITE; AUTOGRIP
2. Tyre type designation by the : X-TERRAIN XT1; FRUN-SIX; GRIP6000-LT  
manufacturer
3. Manufacturer's name and address : QINGDAO KEBEK TIRE CO.,LIMITED  
  
LinGong Road, MengYin Economic  
Development Zone,  
LinYi City, ShanDong Province, 276200  
P.R. China
4. If applicable, name and address of the : not applicable  
manufacturer's representative
5. Summarized description
- 5.1. Size of tyre : 31X10.50R15LT
- 5.2. Category of use : ~~normal~~/snow/special <sup>(1)</sup>
- 5.3. Structure : ~~diagonal(bias ply)~~/radial <sup>(1)</sup>
- 5.4. Tyre class : C2/~~C3~~ <sup>(1)</sup>

- 5.5. Speed category symbol:
- 5.5.1. nominal : R
- 5.5.2. additional (if applicable) : ---
- 5.6. Load-capacity indices:
- 5.6.1. Corresponding to nominal speed:
- single : 109
- twinned (dual) : ---
- 5.6.2. Corresponding to additional speed:
- single : ---
- twinned (dual) : ---
6. Technical service and, where applicable, test laboratory approved for purposes of approval or of verification of conformity : TÜV Rheinland Kraftfahrt GmbH  
Technologiezentrum Verkehrssicherheit  
Typprüfstelle Fahrzeuge/Fahrzeugteile  
Am Grauen Stein  
D-51105 Köln (Poll)
7. Date of report issued by that service : December 17, 2015
8. Number of report issued by that service : 86-R54-3675/15-00
9. Reason(s) of extension (if applicable) : Not applicable
10. Any remarks : ---
11. Place : Zoetermeer
12. Date : 05-JAN-2016
13. Signature :

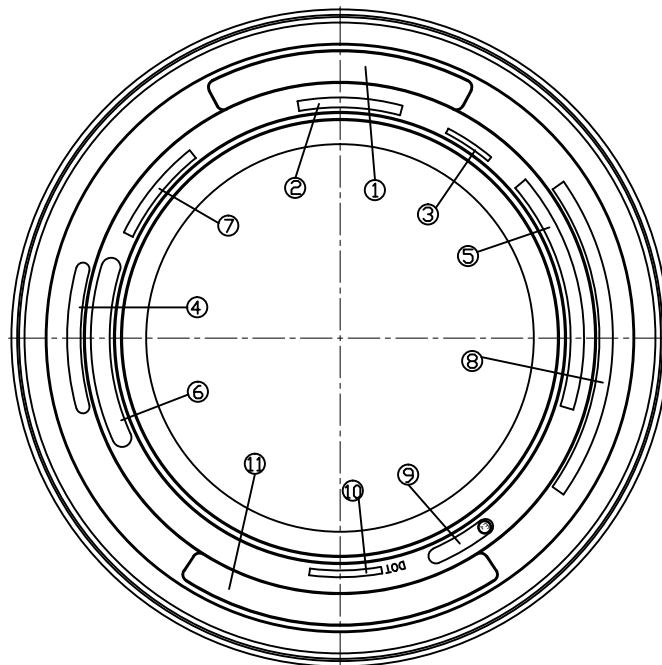
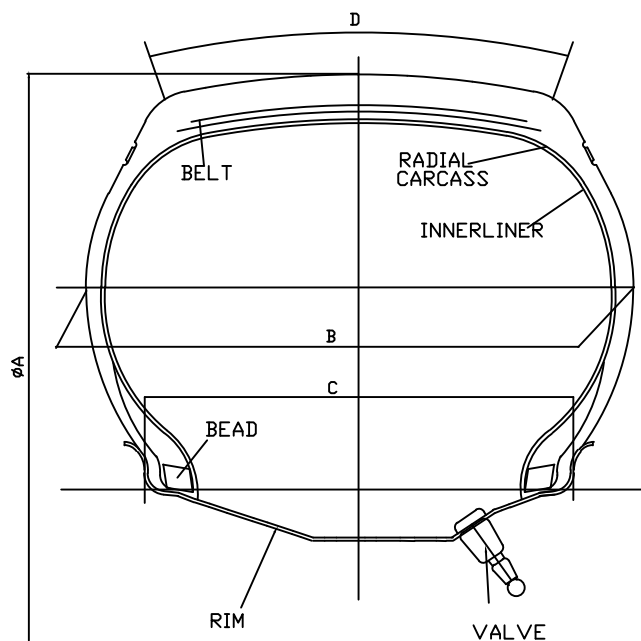
  
M. Uttien

  
RDW

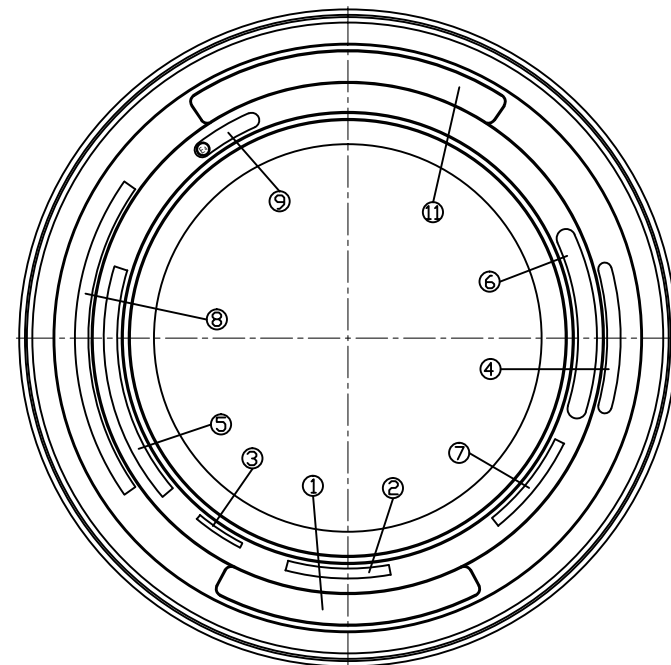
14. Annexed to this communication is a list of documents in the approval file deposited at the administrative service having delivered the approval and which can be obtained upon request.
- Application form relating to ECE approval for a pneumatic tyre pursuant to Regulation number 54.
  - The drawing of the tyre's sidewalls, tread and dimensioned cross-section.
  - The test report as mentioned in item 8.

---

<sup>(1)</sup> Strike out what does not apply.



LOWER MOLD



UPPER MOLD

TREAD PATTERNS  
REFER TO ATTACHMENT NO.2

1	BRAND STAMING [ REFER TO ATTACHMENT NO.2 ]								
2	TUBELESS STEEL BELTED RADIAL								
3	MADE IN CHINA								
4	MAX.LOAD 1030kg (2270 LBS) AT 350 kPa (50 PSI) COLD								
5	SIDEWALL PLIES 2 POLYESTER TREAD PLIES 2 POLYESTER 2 STEEL 1 NYLON								
6	31x10.50R15LT 109R M+S								
7	LOAD RANGE C								
8	SAFETY WARNING *****								
9	E4 *****								
10	DOT *** ***** ***(DATE CODE)								
11	TREAD PATTERN [ REFER TO ATTACHMENT NO.2 ]								
	31x10.50R15LT	109	R	TL	775	268	216	200	12.0
	TIRE SIZE	LOAD INDEX	SPEED SYMBOL	TYPE	A (mm)	B (mm)	C (mm)	D (mm)	SKID DEPTH



DRAWN BY *李永修* CHECKED BY *李永修* APPROVED BY *李永修* QINGDAO KEBEK TIRE CO.,LIMITED

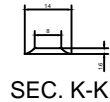
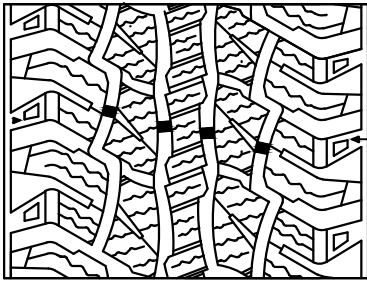
# ATTACHMENT NO.2

TIRE SIZE:31X10.50R15LT

(E4) \*\*\*\*\*

## TREAD PATTERNS

① X-TERRAIN XT1;  
FRUN-SIX  
GRIP6000-LT



6-TWI EQUALLY SPACED  
BOTH HALVES

## SIDEWALL BRAND STAMPING

① XINGYUAN

② HILO

③ FULLRUN

④ ANCHEE

⑤ XINGHONGYUAN

⑥ ANNAITE

⑦ AUTOGRIP



Type : 31X10.50R15LT  
Manufacturer : QINGAO KEBEK TIRE CO.,LIMITED.

---

## TEST REPORT

according to UNECE-Regulation

Uniform provisions concerning the approval of pneumatic tyres  
for commercial vehicles and their trailers

ECE-R54

including all amendments until  
Amend.00, Suppl. 18

---

Approval Status

UNECE approval : E4-54R-0034018 Ext. 00

---

Structure of the Test Report

Item No.

0. General information
  1. Tested vehicle(s) / object(s)
  2. Test record
  3. List of appendices
  4. Statement of conformity
- 

The Test Report shall be reproduced and published in full by the client only. It shall however be reproduced partially with the written permission of the Testing Laboratory only.



**Type** : 31X10.50R15LT  
**Manufacturer** : QINGDAO KEBEK TIRE CO.,LIMITED

## 0. General Information

- 0.1. Make (trade name of the manufacturer) : QINGDAO KEBEK TIRE CO.,LIMITED  
 0.2. Type : 31X10.50R15LT  
 0.3. Category of vehicle : Not applicable  
 0.4. Name and address of the manufacturer : QINGDAO KEBEK TIRE CO.,LIMITED  
 LinGong Road, MengYin Economic Development Zone,  
 LinYi City, ShanDong Province, 276200  
 P.R. China  
 0.5. No. of the information folder : Not applicable  
 -Date of issue : December 11, 2015  
 -Date of last change : ---

## 1. Tested vehicle(s)/ object(s)

- 1.1. Description  
 1.1.1. ~~Vehicle~~/ object  
 Commercial description : Not applicable  
 Type(s) ~~variant(s)~~/ ~~version(s)~~ : 31X10.50R15LT  
 Identification number : See Appendix 1  
 1.1.2. Condition of ~~vehicle(s)~~/Object(s) : New ~~used~~/ ~~pretested~~  
 1.2. Worst case selection : The determination of the worst case was done according to internal procedures of the Technical Service (QMA 1.301.005, section 6.2.2.2.).  
 1.3. Remarks : Not applicable



Type : 31X10.50R15LT  
 Manufacturer : QINGDAO KEBEK TIRE CO.,LIMITED

2. Test record

- 2.1. Equipment for measuring and testing : The test facilities / measurement equipment used were in compliance with the test requirements
- 2.1.1. Specifications for the test site : Not applicable
- 2.1.2. Subcontracting : Not applicable
- 2.2. Test results : See Appendix 1  
 Numbering according to Paragraph 6. and 7. of the UNECE-R54
- 2.2.1. Test results referring to measurements : Pass /Fail
- 2.2.2. Attributive tests : Not applicable
- 2.2.3. Alternative test provisions : Not applicable
- Remarks concerning extension : ~~The type has been tested according to the modification(s) mentioned in appendix 0.~~  
~~The new parts meet the requirements of the regulation.~~  
~~An actual practical test of the type was not necessary.~~  
~~The results of the previous test(s) are still valid.~~
- 2.3. Additional information : The results of the test refer exclusively to the object(s) mentioned under point 1. of this report.
  - Test site : QINGDAO KEBEK TIRE CO.,LIMITED  
 LinGong Road, MengYin Economic Development Zone,  
 LinYi City, ShanDong Province, 276200  
 P.R. China
  - Test date : November 23, 2015
- 2.4. Remarks : Not applicable





Type : 31X10.50R15LT  
Manufacturer : QINGDAO KEBEK TIRE CO.,LIMITED.

---

### 3. List of Appendices

Appendix 0 : List of modifications  
Appendix 1 : Test minutes

### 4. Statement of conformity

The in point 0.5. mentioned information folder and the type described in that comply with the requirements mentioned on page 1.

With regard to the required level of performance to be achieved, the tested items were representative for the type to be approved (see point 1.2).

The mentioned test results refer to the ~~vehicle(s)~~object(s) described under point 1.1 of this report.

Engineering centre Shanghai / December 17, 2015

SR



Su Rui  
Expert Technical Service





Type : 31X10.50R15LT  
Manufacturer : QINGDAO KEBEK TIRE CO.,LIMITED

---

List of modifications

Appendix 0

Correction of : ---  
Modification of : ---  
Addition of : ---  
Deletion of : ---



Type : 31X10.50R15LT  
 Manufacturer : QINGDAO KEBEK TIRE CO.,LIMITED.

Test minutes

Appendix 1

- 1. Test data
  - 1.1 Object markings
    - 1.1.1 Trade name or mark : HILO
    - 1.1.2 Tyre type designation : X-TERRAIN XT1
    - 1.1.3 Plies of Tread / Sidewall : 2 POLYESTER + 2 STEEL + 1 NYLON / 2 POLYESTER
    - 1.1.4 Tyre size designation : 31X10.50R15LT
    - 1.1.5 Category of use : Snow  
 Indication of category of use : Word "M+S"
    - 1.1.6 Structure : Radial  
 Indication / symbol of structure : Word "RADIAL", letter "R" in front of rim diameter marking
    - 1.1.7 Speed category : Nominal: R    Supplementary: ---
    - 1.1.8 Load-Capacity Indices(L.I.)  
 corresponding to nominal speed : Single: 109    Twinned: ---  
 corresponding to supplementary speed : Single: ---    Twinned: ---
    - 1.1.9 Index of inflation pressure for testing : 50 PSI
    - 1.1.10 Ply-rating number : ---
    - 1.1.11 Word in case of without inner tube : Word "TUBELESS"
    - 1.1.12 Word in case of tyre can be regrooved : Not applicable
    - 1.1.13 Inscription in case of Free Rolling Tyre or Traction Tyre : Not applicable
    - 1.1.14 Date of manufacture : 4115
  - 1.2. Dimension measurement according to Annex 6
    - 1.2.1 Measuring rim : 8.5J x 15
    - 1.2.2 Inflation pressure after mounting on measuring rim : 3.5 bar
    - 1.2.3 Inflation pressure adjusted before conditioning : 3.5 bar
    - 1.2.4 Conditioning of tyre : More than 24 hours
    - 1.2.5 Inflation pressure readjusted after conditioning : 3.5 bar
    - 1.2.6 Overall width at six equally spaced points
 

1.	269.8 mm	2.	270.0 mm	3.	269.4 mm
4.	269.2 mm	5.	270.2 mm	6.	268.7 mm

 Max.: 270.2 mm



Type : 31X10.50R15LT  
 Manufacturer : QINGDAO KEBEK TIRE CO.,LIMITED.

- 1.2.7 Circumference : 2420 mm
- 1.2.8 Outer diameter : 770.3 mm
- 1.2.9 Tread depth / void to fill ratio in case of special use tyre : Not applicable

**1.3. Load/speed performance test according to Annex 7**

- 1.3.1 Test machine : TJR-2-PC(Y)
- 1.3.2 Diameter of test drum : 1.707 m
- 1.3.3 Test rim : 8.5J x 15
- 1.3.4 Inflation pressure adjusted before conditioning : 3.5 bar
- 1.3.5 Conditioning of tyre : More than 3 hours
- 1.3.6 Test-room temperature : 29.8 °C - 35.2°C
- 1.3.7 Inflation pressure readjusted after conditioning : 3.5 bar
- 1.3.8 Circumference after conditioning, before testing : 2420 mm
- 1.3.9 Outer diameter after conditioning, before testing : 770.3 mm
- 1.3.10 90% load corresponding to L.I.(single) : 927 kg

Step	Step-Duration [min]	Total Duration [min]	Actual speed (km/h)
	10	10	0-150
1.	10	20	150
2.	10	30	160
3.	30	60	170

- 1.3.11 Conditioning after testing : More than 6 hours
- 1.3.12 Circumference after conditioning, after testing : 2423 mm
- 1.3.13 Outer diameter after conditioning, after testing : 771.3 mm
- 1.3.14 Difference outer diameter before and after testing (max. 3.5 %) : 1.0 mm  
: 0.13 %
- 1.3.15 Inspection after test : The tyre does not exhibit tread separation, ply separation, cord separation, chunking or broken cords.

**2. Remarks** : ---

