

APPLICATION FOR APPROVAL EXTENSION OF A TYPE OF PNEUMATIC TYRE ACCORDING  
TO ECE REGULATION No. 30, 02 SERIES OF AMENDMENTS

- |      |                                                                      |                                                                                                                                              |
|------|----------------------------------------------------------------------|----------------------------------------------------------------------------------------------------------------------------------------------|
| 1.   | Manufacturer's name or trade mark(s) on the tyre type <sup>(2)</sup> | : XINGYUAN; HILO; FULLRUN; ANCHEE; ANNAITE; XINGHONGYUAN; AUTOGRIP; PREMME                                                                   |
| 2.   | Tyre type designation by the manufacturer <sup>(2)</sup>             | : SPORT XVI; FRUN-FOUR; GRIP4000; CROSSMAX; <u>AN616</u>                                                                                     |
| 3.   | Manufacturer's name and address                                      | : QINGDAO KEBEK TIRE CO., LIMITED<br>LinGong Road, MengYin Economic Development Zone,<br>LinYi City, ShanDong Province, 276200<br>P.R. China |
| 4.   | If applicable, name and address of the manufacturer's representative | : N.A.                                                                                                                                       |
| 5.   | Summarized description                                               |                                                                                                                                              |
| 5.1. | Tyre size designation                                                | : 225/70R17                                                                                                                                  |
| 5.2. | Category of use                                                      | : <del>normal</del> /snow/special use/temporary use <sup>(1)</sup>                                                                           |
| 5.3. | Structure                                                            | : <del>diagonal/bias-belted</del> /radial/run flat tyre <sup>(1)</sup>                                                                       |
| 5.4. | Speed category symbol                                                | H                                                                                                                                            |
| 5.5. | Load-capacity index                                                  | 108                                                                                                                                          |
| 6.   | Overall dimensions                                                   | : ETRTO/calculated/Annex 5 <sup>(1)</sup>                                                                                                    |
|      | overall section width                                                | : 228                                                                                                                                        |
|      | outer diameter                                                       | : 748                                                                                                                                        |
| 7.   | Factor 'x'                                                           | : 0.70                                                                                                                                       |
| 8.   | Rims on which the tyre can be mounted                                | : 6.5J<br>6J;7J;7.5J                                                                                                                         |
| 9.   | Measuring rim and test rim                                           | : See attached test report                                                                                                                   |
| 10.  | State whether the tyre is                                            | : Tubeless / tube type <sup>(1)</sup>                                                                                                        |
| 11.  | State whether the tyre is                                            | : Standard / reinforced / T-type temporary use spare tyre <sup>(1)</sup>                                                                     |
| 12.  | State if special use tyre                                            | : n.a.                                                                                                                                       |
|      | Professional Off-Road                                                | : <del>Yes</del> / no <sup>(1)</sup>                                                                                                         |
|      | Tread depth                                                          | : n.a.                                                                                                                                       |
|      | Void to fill ratio                                                   | : n.a.                                                                                                                                       |
| 13.  | Submitted for approval on (date)                                     | :                                                                                                                                            |

We herewith declare that we have not applied and will not apply for approval with another Contracting Party of the ECE for the same type of product.

MANUFACTURER'S STAMP

Signature :



Name: Shen Yutian



THIS APPLICATION IS ACCOMPANIED BY:

- A drawing of the tyre's side wall, tread and dimensioned cross section.
- The test report.



(1) Strike out what does not apply.

(2) Modified points are underlined for extension.

**THE NETHERLANDS  
(N E D E R L A N D)****COMMUNICATION**Concerning <sup>(1)</sup>:

- ~~approval granted~~
- approval extended
- ~~approval refused~~
- ~~approval withdrawn~~
- ~~production definitely discontinued~~

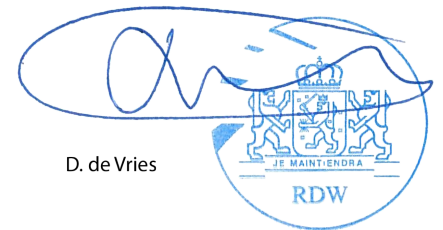
of a type of pneumatic tyre for motor vehicles pursuant to Regulation number 30.

**Approval number: E4-30R-0291863****Extension number: 01**

1. Manufacturer's name or trade mark(s) on the tyre type : XINGYUAN; HILO; FULLRUN; ANCHEE; ANNAITE; XINGHONGYUAN; AUTOGRIP; PREMME
2. Tyre type designation by the manufacturer : SPORT XV1; FRUN-FOUR; GRIP4000; CROSSMAX; AN 616
3. Manufacturer's name and address : QINGDAO KEBEK TIRE CO., LIMITED  
  
LinGong Road, MengYin Economic Development Zone,  
LinYi City, ShanDong Province, 276200  
P.R. China
4. If applicable, name and address of the manufacturer's representative : not applicable
5. Summarised description
- 5.1. Tyre size designation : 225/70R17



- 5.2. Category of use : ~~normal/snow/special use/temporary use~~<sup>(1)</sup>
- 5.3. Structure : ~~diagonal/bias belted/radial/run flat tyre~~<sup>(1)</sup>
- 5.4. Speed category symbol : H
- 5.5. Load-capacity index : 108
6. Technical service and, where applicable, test laboratory approved for purposes of approval or of verification of conformity : TÜV Rheinland Kraftfahrt GmbH  
Technologiezentrum Verkehrssicherheit  
Typprüfstelle Fahrzeuge/Fahrzeugteile  
Am Grauen Stein  
D-51105 Köln (Poll)
7. Date of report issued by that service : January 20, 2017
8. Number of report issued by that service : 86-R30-0320/17-00
9. Reason(s) of extension (if applicable) : Addition of tyre type designation;
10. Any remarks : ---
11. Approval : ~~granted/extended/refused/withdrawn~~<sup>(1)</sup>
12. Place : Zoetermeer
13. Date : 10-FEB-2017
14. Signature :

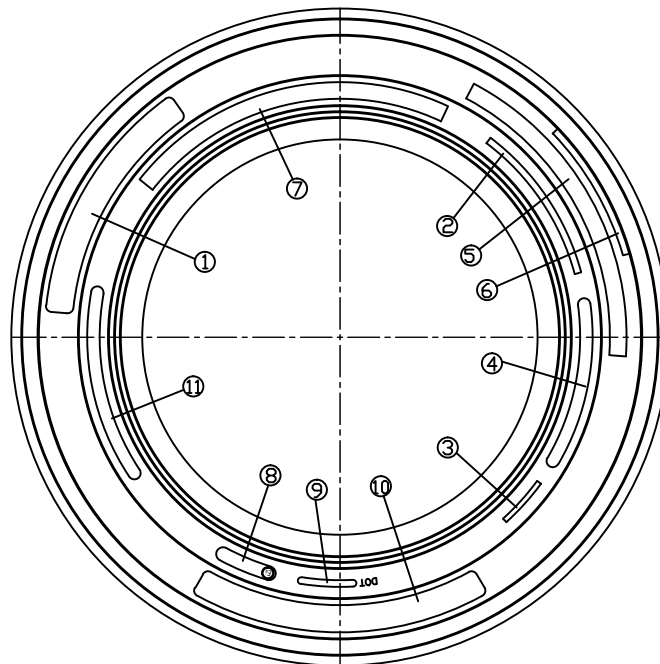
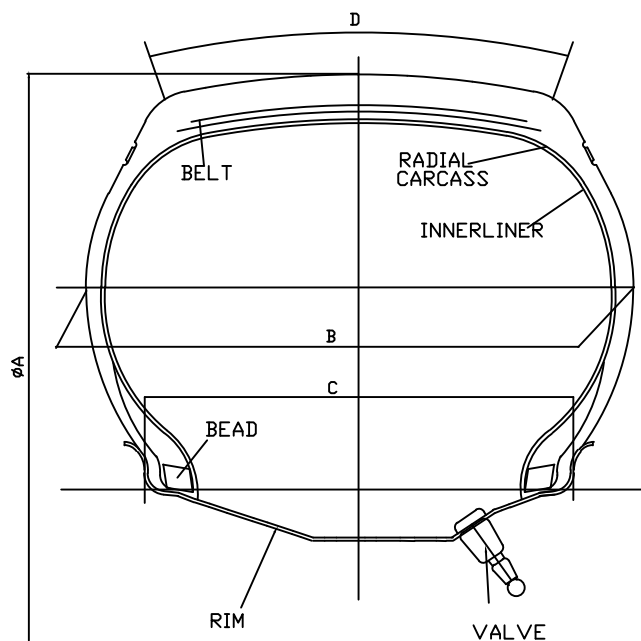


D. de Vries

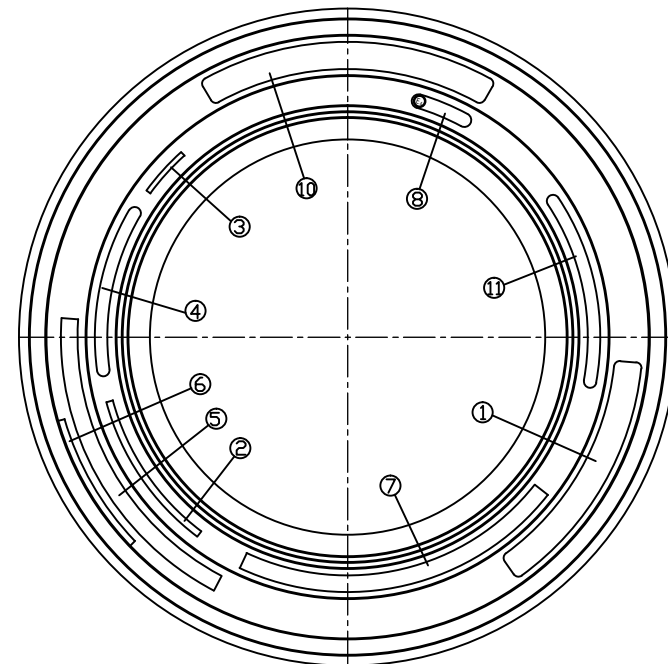
15. The list of documents in the approval file which are deposited at the administrative service having delivered the approval and which can be obtained upon request.
- Application form relating to ECE approval for a pneumatic tyre pursuant to Regulation number 30.
  - The drawing of the tyre's sidewalls, tread and dimensioned cross-section.
  - The test report as mentioned in item 8.

---

<sup>(1)</sup> Strike out what does not apply.



LOWER MOLD



UPPER MOLD

TREAD PATTERNS  
REFER TO ATTACHMENT NO.36

1	BRAND STAMING [ REFER TO ATTACHMENT NO.36 ]								
2	TUBELESS STEEL BELTED RADIAL								
3	MADE IN CHINA								
4	MAX. LOAD 1000 kg (2205 LBS) AT 340 kPa (50 P.S.I.) COLD TREAD PLIES: 2 POLYESTER + 2 STEEL +1 NYLON SIDEWALL PLIES: 2 POLYESTER								
5	225/70R17								
6	TREADWEAR *** TRACTION * TEMPERATURE *								
7	SAFETY WARNING *****								
8	(E4) *****								
9	DOT *** ***** ***(DATE CODE)								
10	TREAD PATTERN [ REFER TO ATTACHMENT NO.36 ]								
11	225/70R17 108H M+S EXTRA LOAD								
	225/70R17	108	H	TL	748	228	165	164	8.5
	TIRE SIZE	LOAD INDEX	SPEED SYMBOL	TYPE	A (mm)	B (mm)	C (mm)	D (mm)	SKID DEPTH



DRAWN BY *李天修* CHECKED BY *李天修* APPROVED BY *李天修*

QINGDAO KEBEK TIRE CO., LIMITED

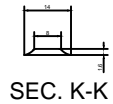
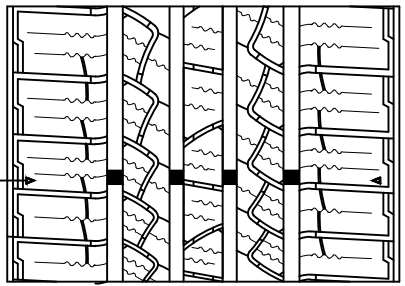
# ATTACHMENT NO.36

TIRE SIZE:225/70R17

## TREAD PATTERNS

E4 \*\*\*\*\*

① SPORT XV1;  
FRUN-FOUR;  
GRIP4000;  
CROSSMAX;  
AN 616



6-TWI EQUALLY SPACED  
BOTH HALVES

## SIDEWALL BRAND STAMPING

① XINGYUAN

② HILO

③ FULLRUN

④ ANCHEE

⑤ XINGHONGYUAN

⑥ ANNAITE

⑦ AUTOGRIP

⑧ PREMME



Type : 225/70R17  
Manufacturer : QINGDAO KEBEK TIRE CO.,LIMITED

---

## TEST REPORT

according to UNECE-Regulation

**Uniform provisions concerning the approval of pneumatic tyres  
for motor vehicles and their trailers**

### ECE-R30

including all amendments until  
Amend.02, Suppl. 17

---

Approval Status

UNECE approval : E4-30R-0291863 Ext.01

---

Structure of the Test Report

Item No.

0. General information
  1. Tested vehicle(s) / object(s)
  2. Test record
  3. List of appendices
  4. Statement of conformity
- 

The Test Report shall be reproduced and published in full by the client only. It shall however be reproduced partially with the written permission of the Testing Laboratory only.



Type : 225/70R17  
 Manufacturer : QINGDAO KEBEK TIRE CO.,LIMITED.

**0. General Information**

- 0.1. Make (trade name of the manufacturer) : QINGDAO KEBEK TIRE CO.,LIMITED
- 0.2. Type : 225/70R17
- 0.3. Category of vehicle : Not applicable
- 0.4. Name and address of the manufacturer : QINGDAO KEBEK TIRE CO.,LIMITED  
 LinGong Road, MengYin Economic Development Zone,  
 LinYi City, ShanDong Province, 276200  
 P.R. China
- 0.5. No. of the information folder : Not applicable
  - Date of issue : ---
  - Date of last change : ---

**1. Tested vehicle(s) / object(s)**

- 1.1 Description
  - 1.1.1. ~~Vehicle~~ / object
    - Commercial description : Not applicable
    - Type(s) / ~~variant(s)~~ / ~~version(s)~~ : 225/70R17
    - Identification number : See Appendix 1
  - 1.1.2. Condition of ~~vehicle(s)~~/Object(s) : New / ~~used~~ / ~~pretested~~
- 1.2. Worst case selection : The determination of the worst case was done according to internal procedures of the Technical Service (QMA 1.301.005, section 6.2.2.2.).
- 1.3. Remarks : Not applicable



Type : 225/70R17  
 Manufacturer : QINGDAO KEBEK TIRE CO.,LIMITED

2. Test record

- 2.1. Equipment for measuring and testing : The test facilities / measurement equipment used were in compliance with the test requirements
  - 2.1.1. Specifications for the test site : Not applicable
  - 2.1.2. Subcontracting : Not applicable
- 2.2. Test results : See Appendix 1  
 Numbering according to Paragraph 6. and 7. of the UNECE-R30
  - 2.2.1. Test results referring to measurements : Pass /~~Fail~~
  - 2.2.2. Attributive tests : Not applicable
  - 2.2.3. Alternative test provisions : Not applicable
 Remarks concerning extension : ~~The type has been tested according to the modification(s) mentioned in appendix 0.~~  
 The new parts meet the requirements of the regulation.  
 An actual practical test of the type was not necessary.  
 The results of the previous test(s) are still valid.
- 2.3. Additional information : The results of the test refer exclusively to the object(s) mentioned under point 1. of this report.
  - Test site : QINGDAO KEBEK TIRE CO.,LIMITED.  
 LinGong Road, MengYin Economic Development Zone,  
 LinYi City, ShanDong Province, 276200  
 P.R. China
  - Test date : August 04, 2016
- 2.4. Remarks : Not applicable





Type : 225/70R17  
Manufacturer : QINGDAO KEBEK TIRE CO.,LIMITED

---

### 3. List of Appendices

Appendix 0 : List of modifications  
Appendix 1 : Test minutes

### 4. Statement of conformity

The in point 0.5. mentioned information folder and the type described in that comply with the requirements mentioned on page 1.

With regard to the required level of performance to be achieved, the tested items were representative for the type to be approved (see point 1.2).

The mentioned test results refer to the vehicle(s)/object(s) described under point 1.1 of this report.

Engineering Centre Shanghai, / January 20, 2017  
SR / JZ



Su Rui  
Expert Technical Service



Type : 225/70R17  
Manufacturer : QINGDAO KEBEK TIRE CO.,LIMITED

---

List of modifications

Appendix 0

Correction of : ---  
Modification of : ---  
Addition of : Tyre type designation  
Deletion of : ---



Type : 225/70R17  
 Manufacturer : QINGDAO KEBEK TIRE CO.,LIMITED

## Test minutes

## Appendix 1

- 1. Test data**
- 1.1. Test object(s) markings**
- 1.1.1 Trade name or mark : HILO
- 1.1.2 Tyre type designation : SPORT XV1
- 1.1.3 Plies of Tread / Sidewall : 2 POLYESTER + 2 STEEL + 1 NYLON /  
2 POLYESTER
- 1.1.4 Tyre size designation : 225/70R17
- 1.1.5 Category of use : Snow  
 Indication of category of use : word "M+S"
- 1.1.6 Structure : Radial  
 Indication / symbol of structure : Word "RADIAL", letter "R" in front of rim diameter marking
- 1.1.7 Speed category : H
- 1.1.8 Load-Capacity Indices(L.I.) : 108
- 1.1.9 Word in case of without inner tube : TUBELESS
- 1.1.10 Word in case of reinforced tyre : EXTRA LOAD
- 1.1.11 Date of manufacture : 2516
- 1.2. Dimension measurement according to Annex 6** : Refer to report No. 86-R30-0242/16-00 corresponding to type approval No.: E4-30R-0291863 Ext.00
- 1.3. Load/speed performance test according to Annex 7** : Refer to report No. 86-R30-0242/16-00 corresponding to type approval No.: E4-30R-0291863 Ext.00
- 2. Remarks** : ---

